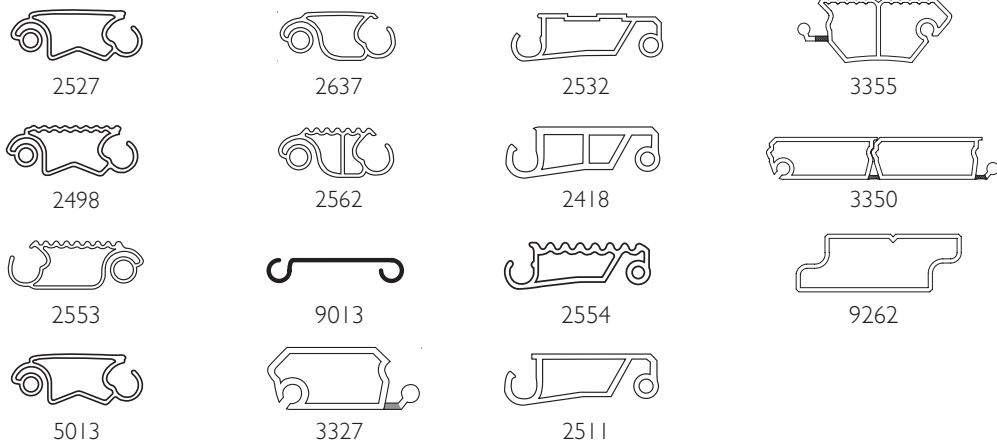
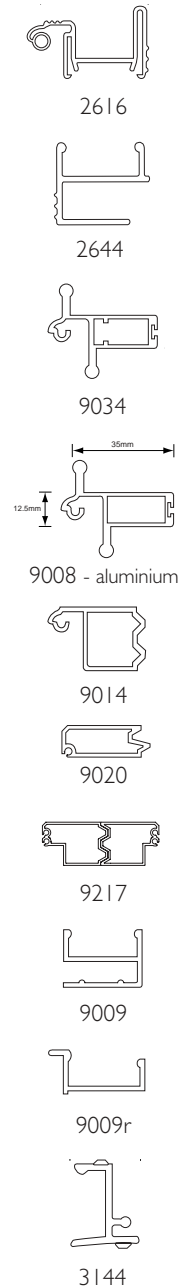


**SPECIALIST COMPONENTS** (minimum order quantities required)

**Slats**



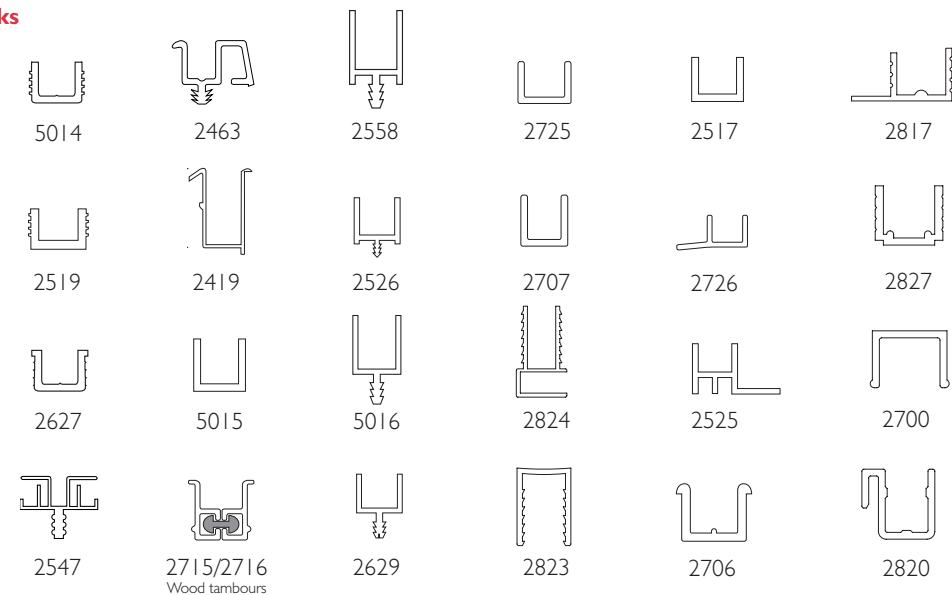
**Slam Rails**



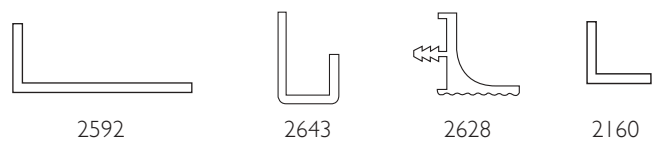
**Finger Slats**



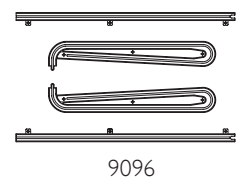
**Tracks**



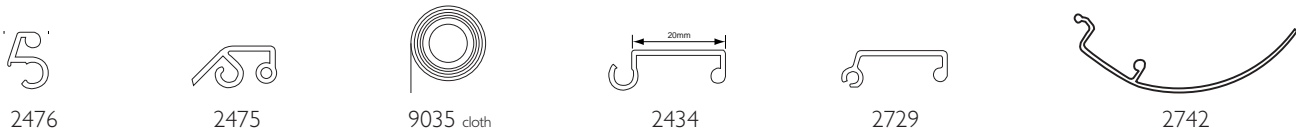
**Fascia Covers**



**Mouldings**



**Slat Connectors**



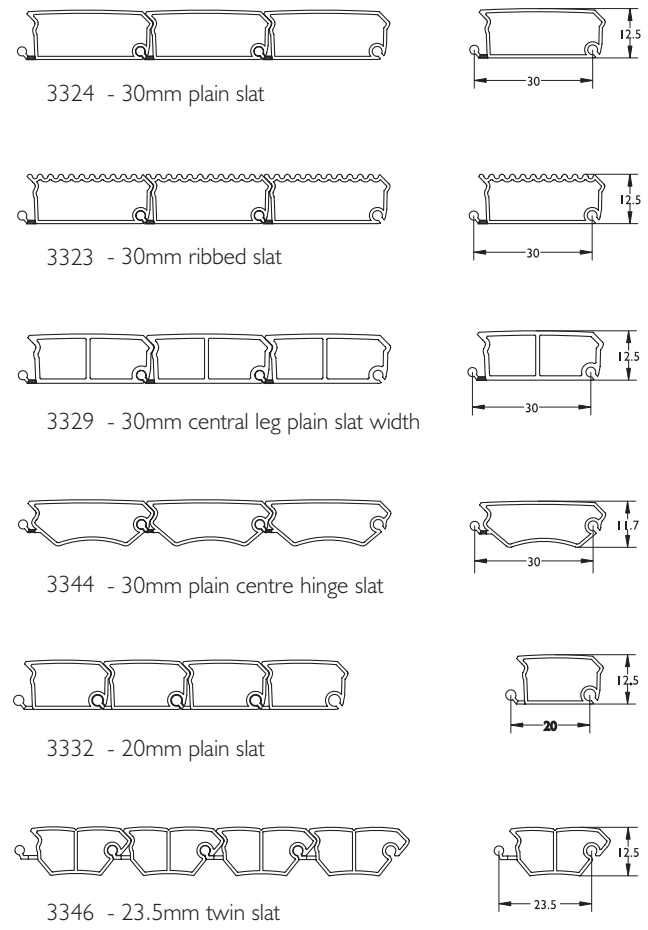
Issue 1/05/07

# Shutter Systems Data Sheet

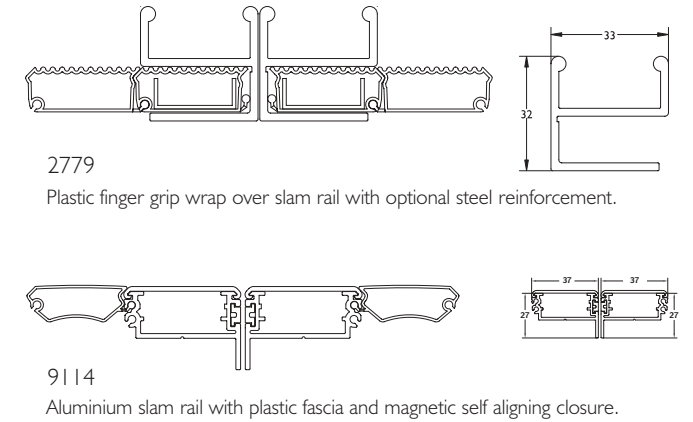


**SIDE OPENING SYSTEMS**

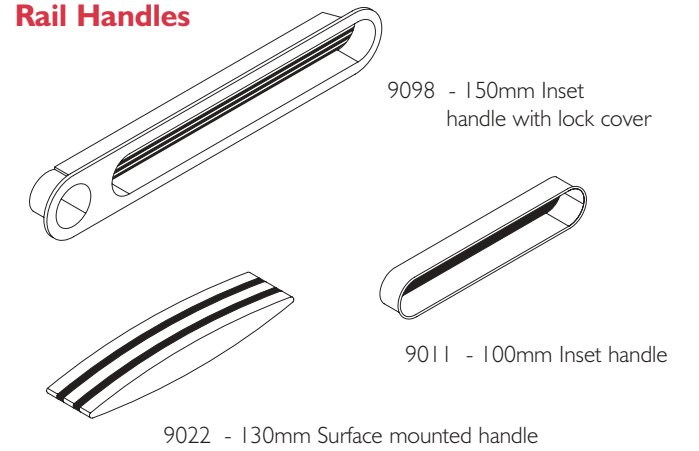
**Side Opening Slats**



**Side Opening Slam Rails**

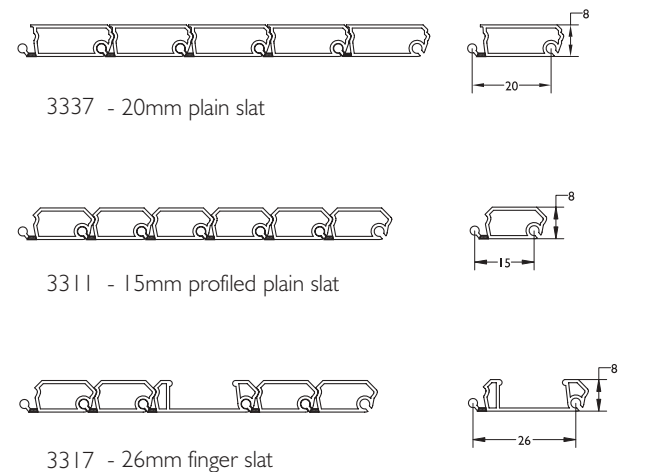


**Rail Handles**

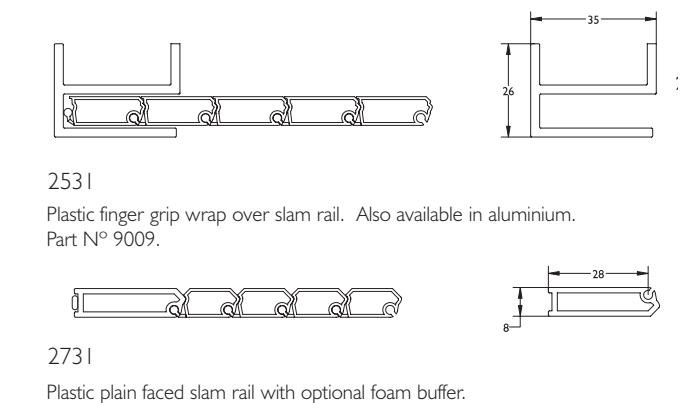


**VERTICAL OPENING SYSTEMS**

**Vertical Opening Slats**



**Vertical Opening Slam Rails**



**PAL Extrusions**

Darlaston Road, Wednesbury, West Midlands WS10 7TN U.K.  
 Tel: +44 (0)121 526 4048 Fax: +44 (0)121 526 4658  
 email: sales@palextrusions.co.uk Web: www.palextrusions.co.uk

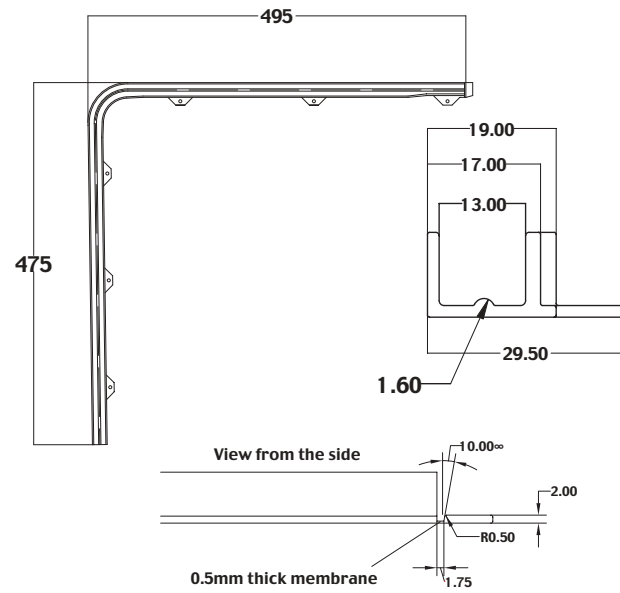


[www.palextrusions.co.uk](http://www.palextrusions.co.uk)

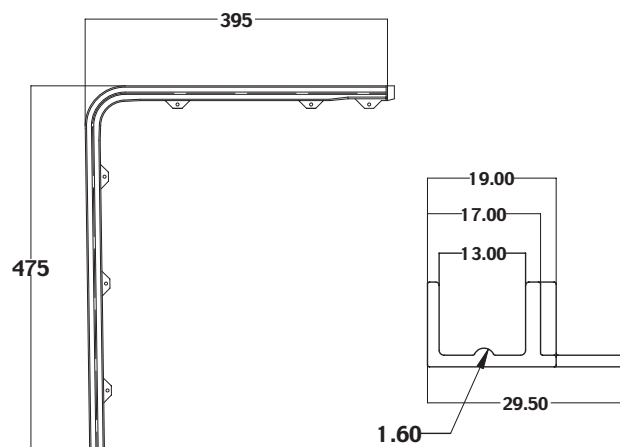


## INJECTED MOULDED TRACKS

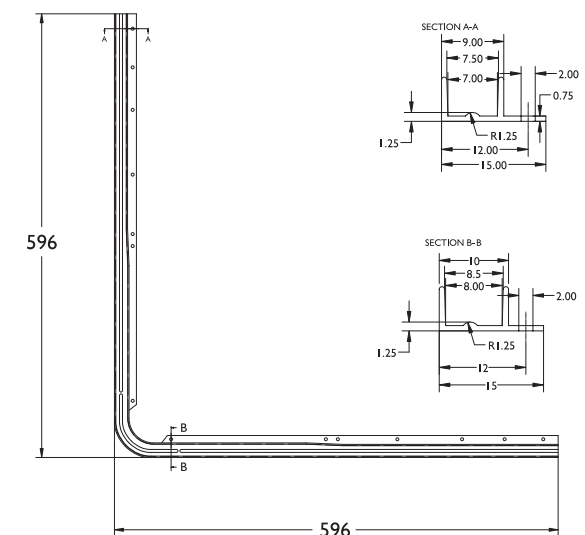
### Standard Track



9057 - Injected moulded nylon track with integral centre stop for 1000mm wide cabinets



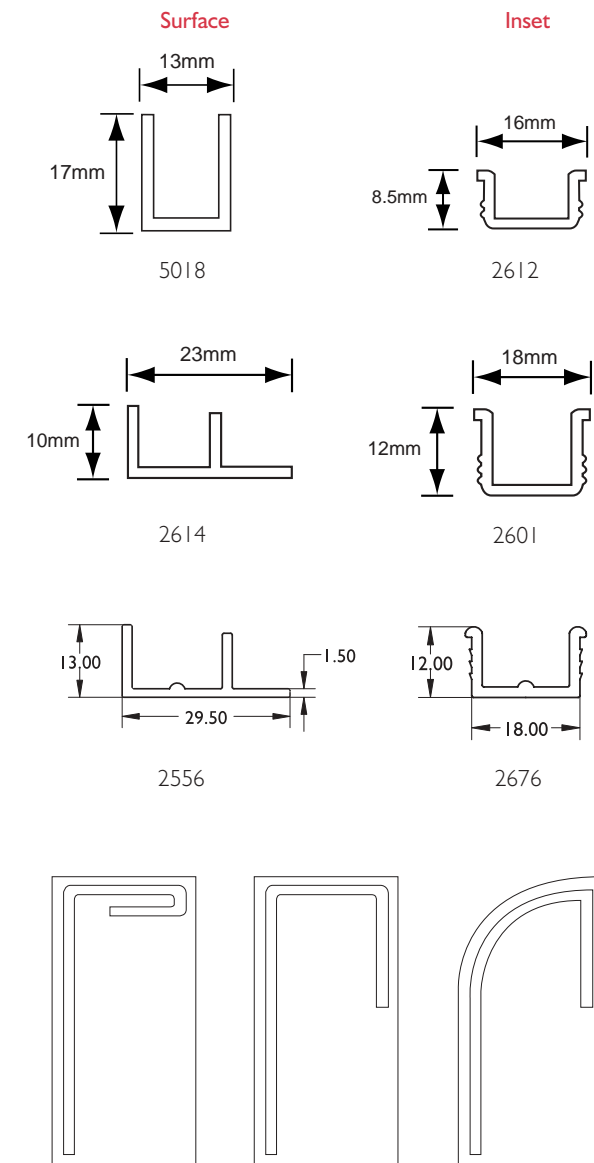
9059 - Injection moulded nylon track with integral centre stop for 800mm wide cabinets



9066 - Injection moulded universal track with narrowing feature for cabinets up to 1200mm wide

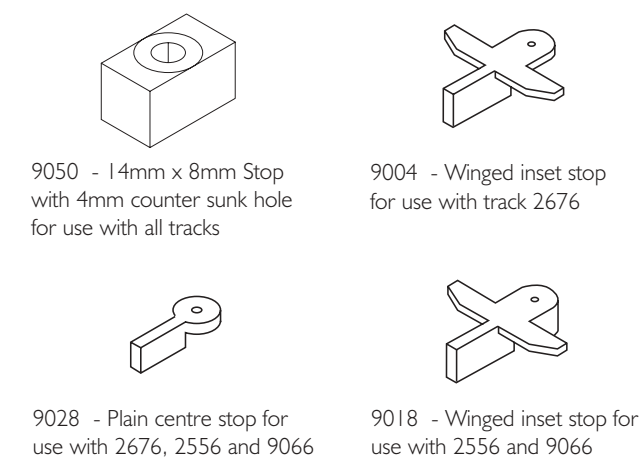
## EXTRUDED TRACKS

### Straight or Formed Track



Extruded tracks can be heat formed to suit most requirements using a variety of profiles. Usual applications require a minimum internal radius of 33mm.

## TRACK STOPS



9050 - 14mm x 8mm Stop with 4mm counter sunk hole for use with all tracks

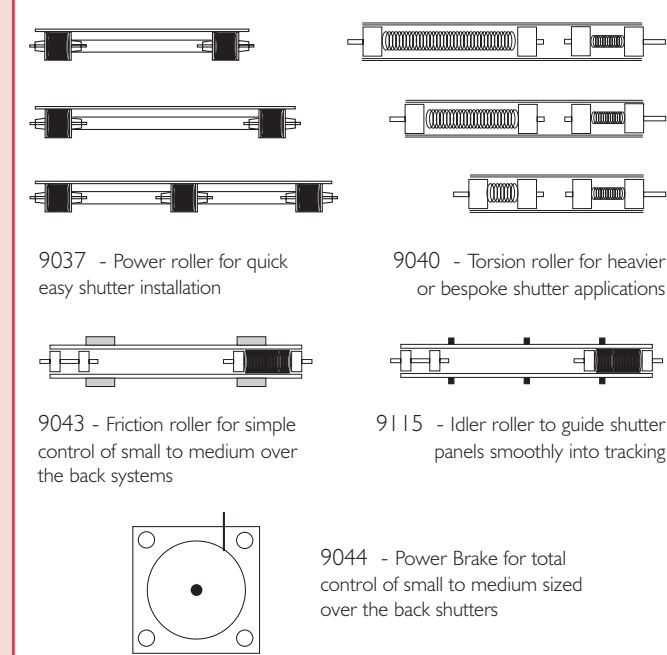
9004 - Winged inset stop for use with track 2676

9028 - Plain centre stop for use with 2676, 2556 and 9066

9018 - Winged inset stop for use with 2556 and 9066

## ANCILLARIES

### Vertical Opening Control System



9037 - Power roller for quick easy shutter installation

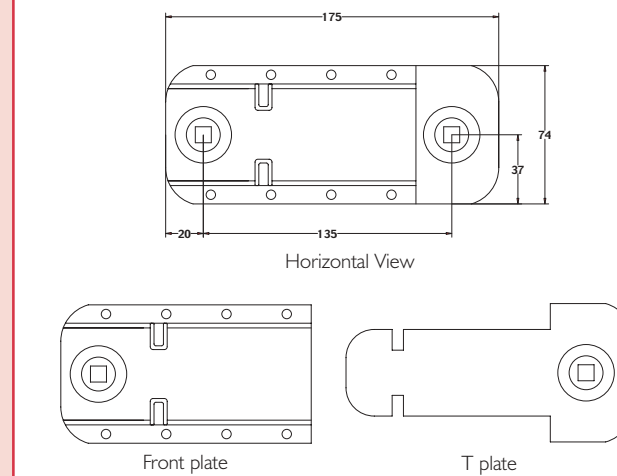
9040 - Torsion roller for heavier or bespoke shutter applications

9043 - Friction roller for simple control of small to medium over the back systems

9115 - Idler roller to guide shutter panels smoothly into tracking

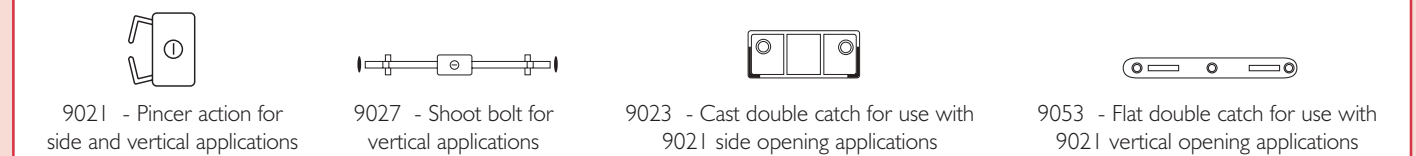
9044 - Power Brake for total control of small to medium sized over the back shutters

### Roller Brackets



9016 - Two part metal bracket suitable for all types of cabinet

## LOCKS AND CATCH PLATES



9021 - Pincer action for side and vertical applications

9027 - Shoot bolt for vertical applications

9023 - Cast double catch for use with 9021 side opening applications

9053 - Flat double catch for use with 9021 vertical opening applications

## GENERAL GUIDANCE FOR SYSTEM CAPABILITIES

	Width (mm)	Height (mm)
Side Opening	up to 4000	up to 3000
Power Roller	800-1200	1000-2500
Torsion Spring Roller	450-1600	1000-3000
Power Brake	up to 1600	up to 1600
Friction Roller	up to 1600	up to 2000

## ALTERNATIVE SHUTTERS

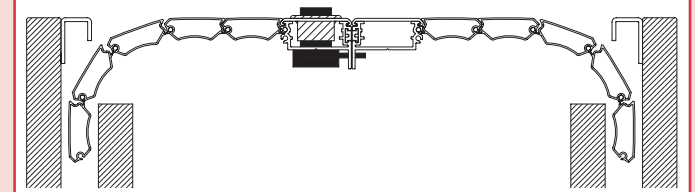
**Wood:**  
6mm thick panels up to 1600mm wide and 2550mm high. Sanded, lacquered and coated finishes.

**Plastisol Coated Mild Steel:**  
0.55mm with or without end locks. Standard light grey finish BS00A05.

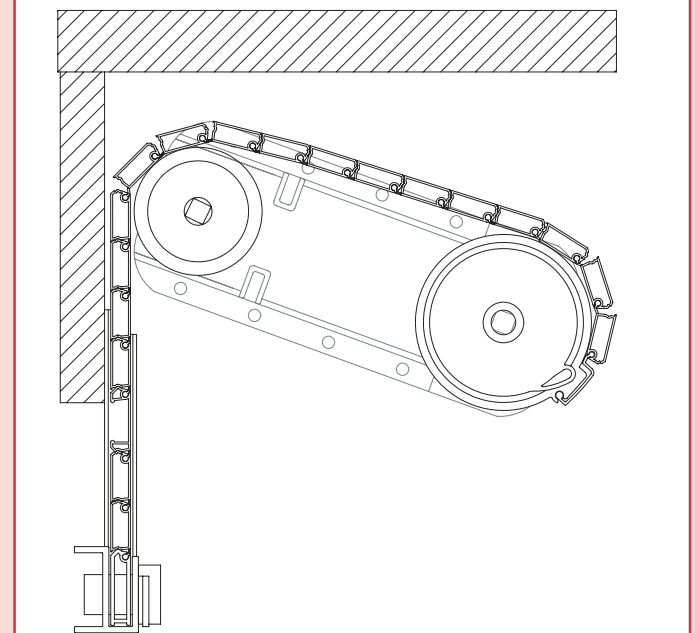
**Aluminium:**  
30mm anodised/ powder coated slats.

## OPENING ARRANGEMENTS

### Typical Side Opening Arrangement



### Typical Vertical Opening Arrangement



Shutter Height	Roll Diameter with	
	Power Roller	Torsion Roller
1100	140	120
1350	150	130
1600	160	140
1850	170	155
2100	175	165
2350	185	170
2600	195	180

Standard Plastic Colours: Light Grey, Graphite Grey, Black, Silver, Oak, Beech.